

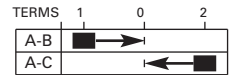
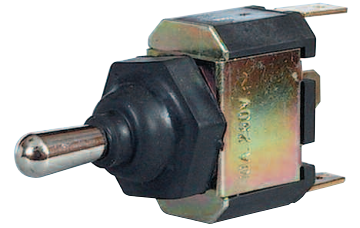
auto electrical parts

Technical Information Sheet

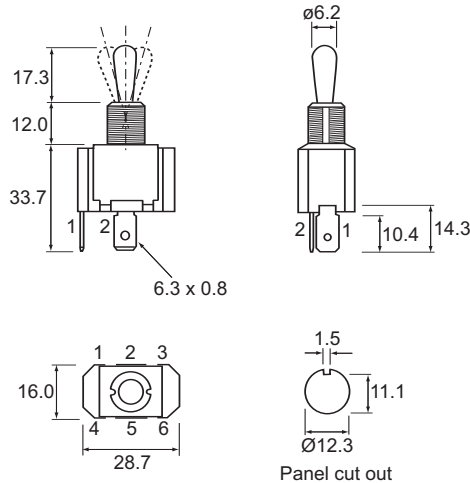
Part No. 0-496-50

Catalogue Entry

Momentary change over or momentary on / off / momentary on, single pole switch with rubber sealing gaiter over nickel plated brass lever. 6.3mm terminals, 13mm panel hole. 10 amps at 28 volt dc rating.



Technical Drawing



Specification

Type	SP Momentary change over or momentary on / off / momentary on toggle switch
DC resistive rating @ 28 volts	10 amps
AC resistive rating	10 amps @ 250 volt, 15 amps @ 125 volt
AC inductive contact rating	4 amps @ 250 volt
Electrical life	50,000 cycles minimum at maximum rating
Mechanical life	100,000 cycles minimum
Contact material	Fixed, silver on copper. Moving, silver alloy on copper
Terminals	Brass 6.3mm tab
Base material	Nylon
Actuators and finish	Bright nickel plated brass lever
Temperature range	Operating, 0°C to +85°C. Storage, -40°C to +85°C
Contact resistance	10mΩ maximum @ 4 volts dc and 1 amp
Electric strength	0.75kV across contacts and 2kV live to accessible surfaces.
Insulation resistance	>50MΩ
Mounting	By threaded bush, secured front and behind the panel by fixing nuts and ring.
Weight	58.5g
Dimensions	l 28.7 x w 16 x h 63mm (including level and tabs)

The information contained in this document is correct to the best of our knowledge at the time of printing. However, specifications may change at any time without notice.